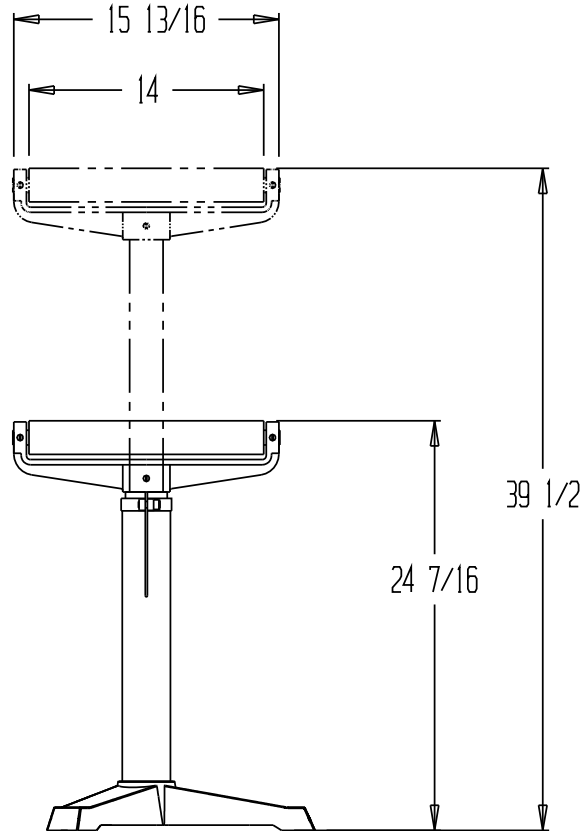
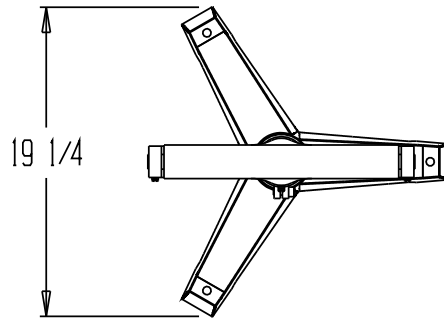


DELUXE ROLLER STAND, STAND-H



STANDARD FEATURES

MODEL NUMBER: STAND-H
 CAPACITY: 1760 LBS
 LOWERED HEIGHT(MIN): 24 7/16"
 RAISED HEIGHT(MAX): 39 1/2"
 14" HORIZONTAL ROLLER
 HEAVY-DUTY CAST-ST'L BASE
 ADJUSTABLE HEIGHT
 ROLLER IS 2" DIA & CHROME PLATED

LEAD TIME WILL START UPON
 RECEIPT OF SIGNED APPROVAL
 DRAWING

SPECIAL FEATURES

NONE

**Any additions, deletions or omissions must be corrected on this
 drawing, as this drawing will be considered all inclusive.**

**SPECIAL UNITS ARE NON-RETURNABLE
 *AVAILABLE AT ADDITIONAL COSTS

*** ALL GRAPHICS PROVIDED ARE FOR REFERENCE ONLY.
 IF CERTAIN DIMENSIONS ARE CRITICAL PLEASE VERIFY
 THOSE DIMENSIONS WITH YOUR SALESPERSON. ***

APPROVAL

I, the undersigned, hereby approve this print
 As drawn As marked

This includes my approval of design & dimensions.

Signed: _____

Date: _____

DISTRIBUTOR'S NAME:		P.O.#: -
VESTIL MANUFACTURING		W.O.#: -
DRAWN BY: QW	DATE: 7-31-06	SALES: -
REFERENCE:	DRWG./FILE NAME:	
-	SCALE: 1:12	STAND-H